

1078A Butterfly Valve (Wafer Type) PN 1.6 with S.G Iron Disc - Gear Operated



Salient Features

- Design Standard IS 13095 / BS EN 593 (BS 5155).
- Wafer Type.
- Gear Operated.
- S.G Iron construction.
- S.G Iron disc which is accurately guided between the two stems.
- Integrally moulded rubber lining (EPDM / Nitrile / Neoprene* / Viton* / Silicon*) as per requirement which provides seating to the valve disc, as a primary seal to the stem and gasket joint with matching pipe flanges.
- Two Piece Stem design which is precisely guided between the PTFE / Bronze bushes.
- Compatible to sandwich between flanges as per BS 10 Table D, E, F,H, DIN, PN 10, PN 16, PN 25, PN 40, ASA 150, ASA 300, IS 778, IS 6392 Table 17 and IS 1538.



*Valves with Neoprene / Viton / Silicon lining can also be provided at nominal extra cost.

PN 1.0 -

Test Pressure (Hydrostatic) :

Shell : 1.5 MPa

Seat : 1.1 MPa

Maximum Working Pressure : 1.0 MPa

Maximum Working Temperature : 90°C

PN1.6 -

Test Pressure (Hydrostatic) :

Shell : 2.4 MPa

Seat : 1.76 MPa

Maximum Working Pressure : 1.6 MPa

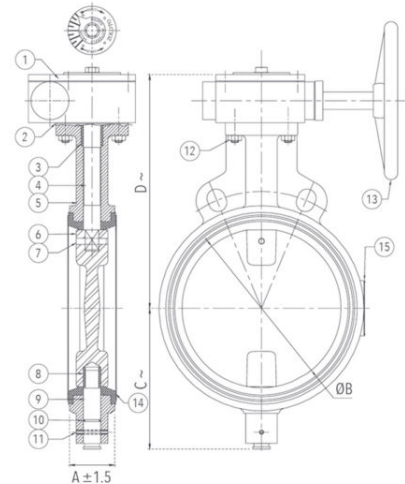
Maximum Working Temperature : 90°C

Suitable For

Water

Materials

P.No.	Name of Part	Material of Construction	Specification	Qty.
1	Gear Box Assembly	---	---	1
2	Gasket	Steam Jointing Sheet	IS2712 Gr. W/3	1
3	Packing Bush	PTFE / Bronze	--- / IS 318 Gr. LTB 2	1
4	Upper Stem	Stainless Steel	IS 6603 Gr. 12 Cr12	1
5	Body	S.G Iron	IS 1865 Gr. 400/15	1
6	Disc	S. G Iron	IS 1865 Gr. 400/15	1
7	Taper Pin (Optional)	Stainless Steel	IS 6603 Gr. 12 Cr12	1
8	Bush	PTFE / Bronze	--- / IS 318 Gr. LTB 2	1
9	Lower Stem	Stainless Steel	IS 6603 Gr. 12 Cr12	1
10	'O' Ring	Nitrile Rubber	IS 5192 - 1	1
11	Dowel Pin	Spring Steel	---	1
12	C - Sunk Screw & Nuts	Carbon Steel	---	4 Each
13	Handwheel	Cast Iron / Sheet Metal	IS 210 Gr. FG 200 / ---	1
14	Body Lining	EPDM / Nitrile	IS 5192 - 1	1
15	Name Plate	Aluminium	---	1



Sizes / Dimensions

Size (Inches)	Size (mm)	A ±1.5	ØB	C ~	D ~
8	200	60	199.6	180	295
10	250	68	250	220	320
12	300	78	298	250	344
14 [#]	350	85	350	280	380
16 [#]	400	96	392	300	410

Size (Inches)	Size (mm)	A ±1.5	ØB	C ~	D ~
18 [#]	450	108	440	330	466
24 [#]	600	146.5	590	440	610

Non-ISI with Pressure Rating PN-1.0